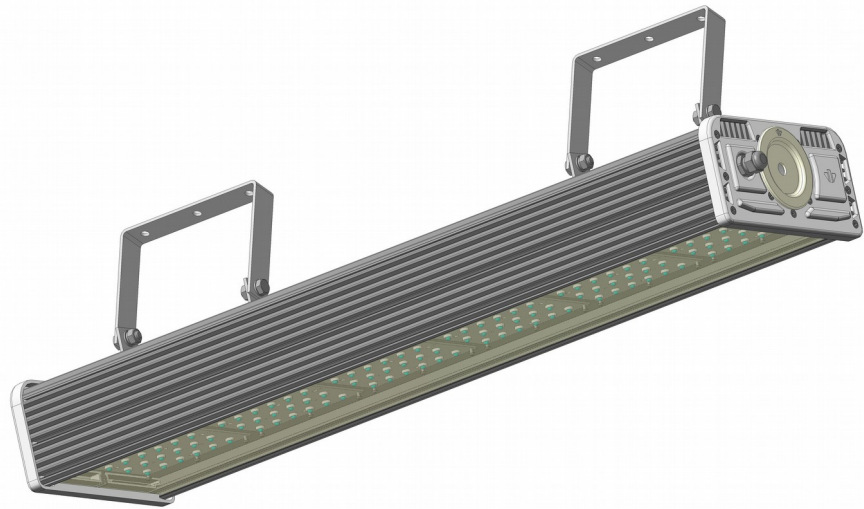
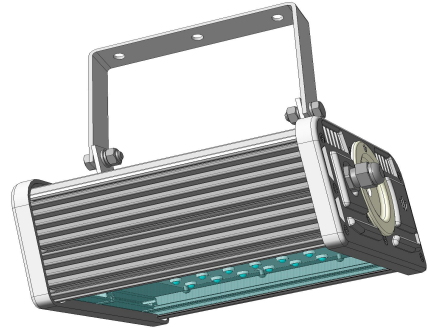


LED Light Fixture

IP65

Factory series



Indoor illumination



- Production facilities,
- public spaces,
- hangars,
- underground walkways,
- entrances to the buildings,
- halls,
- utility rooms,
- entries.

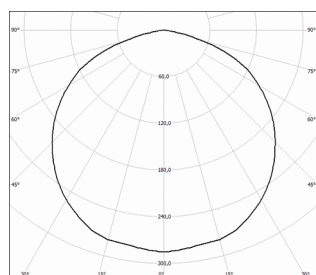
Basic parameters of LED light fixture

Product name	Light flux, lm	Power consumption, W	IP degree	Overall dimensions (AxBxC), mm	Weight, kg
Factory-30 (SPSR-A/B/C-220-001-N/W-MCC1)	3750	30	IP65	245x209x245	3,6
Factory-60 (SPSR-A/B/C-220-002-N/W-MCC1)	7500	60		340x209x245	5,9
Factory-90 (SPSR-A/B/C-220-003-N/W-MCC1)	11250	90		462x209x245	7,9
Factory-120 (SPSR-A/B/C-220-004-N/W-MCC1)	15000	120		580x209x245	10,5
Factory-150 (SPSR-A/B/C-220-005-N/W-MCC1)	18750	150		720x209x245	12,1
Factory-180 (SPSR-A/B/C-220-006-N/W-MCC1)	22500	180		840x209x245	14,0

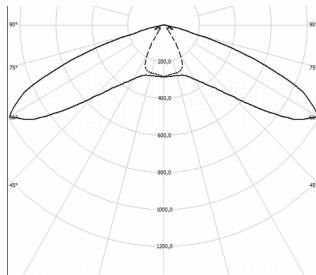
General parameters of LED light fixture

AC supply voltage, V	from 140 to 265
Frequency, Hz	50 ± 10%
DC supply voltage, V	from 200 to 370
Operating temperature range, °C	from - 40 to + 60
Emission color	white
Color temperature of emission, K	W- 3000÷4000/N- 4000÷6000
Climatic performance in accordance with State Standard 15150	MCC1
Warranty, years	5
Durability, years	10

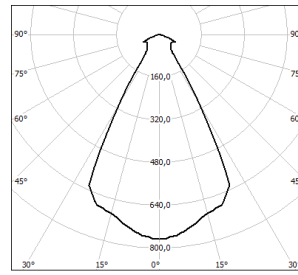
Light Distribution Curve



A - cosine



B - wide



C - deep

Overall dimensions of LED light fixture

