

LED Light Fixture



IP65

SVS-220-001 series

Explosion-proof illumination



- 1 and 2 hazardous areas,
- IIA, IIB, IIC subgroup of category II (gas locations),
- IIIA, IIIB, IIIC subgroup of category III (dust locations).

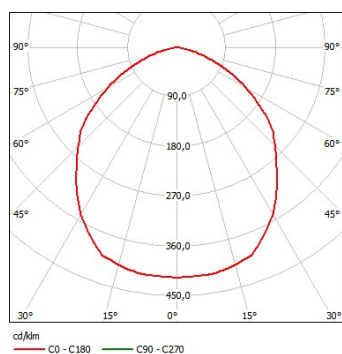
Basic parameters of LED light fixture

| Product name | Light flux, lm | Power consumption, W | Explosion-proof construction | IP degree | Overall dimensions, mm | Weight, kg |
|----------------|----------------|----------------------|---|-----------|------------------------|------------|
| SVS-220-001-03 | 2100 | 20 | 1Ex d op is IIC T5 Gb/ Ex tb IIIC Db | IP65 | 270x265x250 | 7,5 |
| SVS-220-001-02 | 3200 | 30 | | | | |
| SVS-220-001-01 | 4500 | 40 | | | | |
| SVS-220-001-04 | 6600 | 60 | | | | |

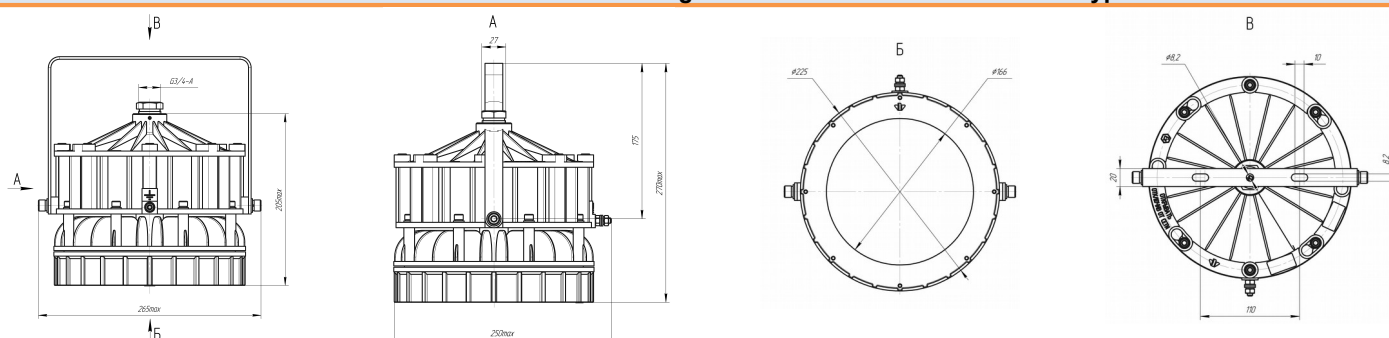
General parameters of LED light fixture

| | |
|--|-------------------|
| AC supply voltage, V | from 176 to 264 |
| Frequency, Hz | 50 ± 10% |
| DC supply voltage, V | from 250 to 370 |
| Operating temperature range, °C | from - 50 to + 50 |
| Emission color | white |
| Color temperature of emission, K | 4000÷6000 |
| Electric shock protection class in accordance with IEC 60598-1, part 8 | I |
| Climatic performance in accordance with State Standard 15150 | MCC1 |
| Light flux ripple rate, %, not more | 10 |
| Warranty, years | 5 |
| Durability, hours | 50 000 |

Light Distribution Curve



Overall dimensions of LED light fixture with bracket installation type



Installation types of LED light fixture



Bracket



On pipe



On eyebolt