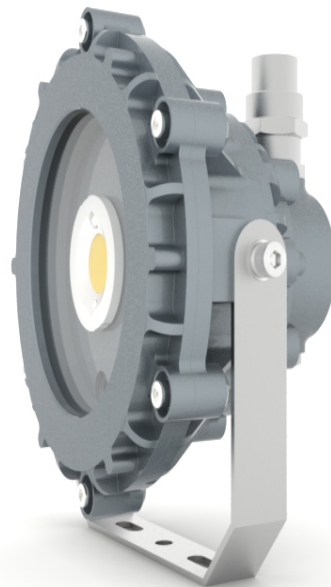


LED Light Fixture



SPV-220-005 series



Explosion-proof illumination



- 1 and 2 hazardous areas,
- IIA, IIB, IIC subgroup of category II (gas locations),
- IIIA, IIIB, IIIC subgroup of category III (dust locations).

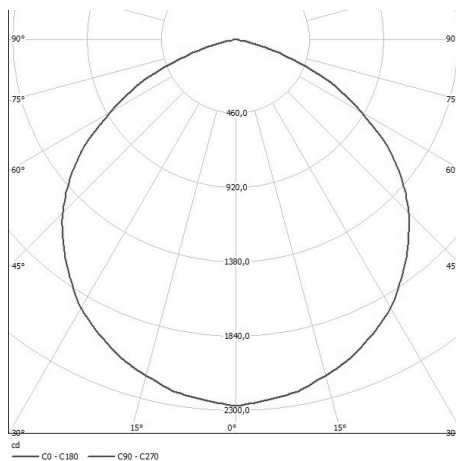
Basic parameters of LED light fixture

Product name	Light flux, lm,	Power consumption, W	Explosion-proof construction	IP degree	Overall dimensions, mm	Weight, kg
SPV-220-005-01	2800	20	1 Ex d e IIC T5 Gb/ Ex tb IIIC T100°C Db	IP65	212 x 210 x 180	4,5
SPV-220-005-02	4200	30				
SPV-220-005-03	5600	40				
SPV-220-005-04	8400	60				

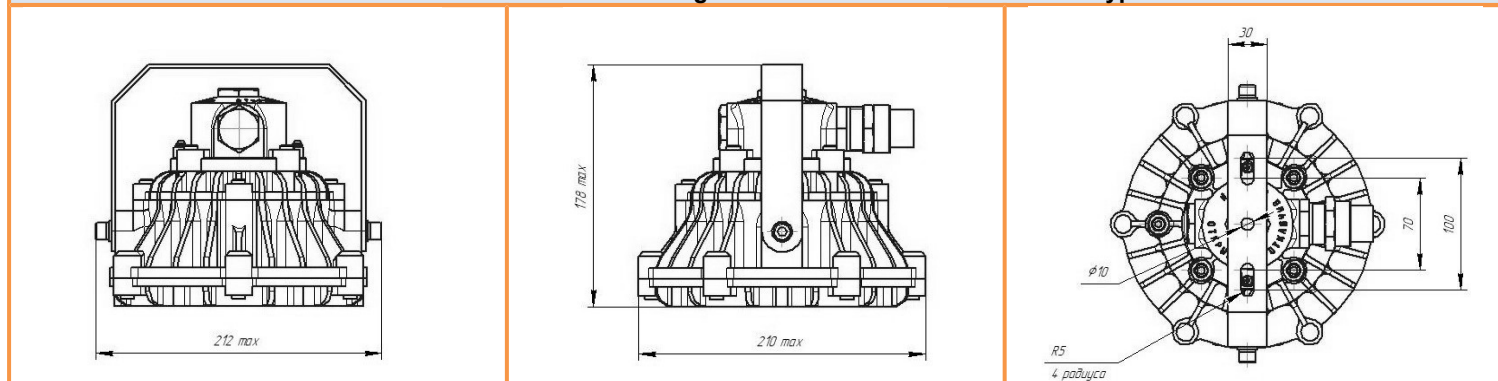
General parameters of LED light fixture

AC supply voltage, V	from 176 to 264
Frequency, Hz	50±10%
DC supply voltage, V	from 250 to 370
Operating temperature range, °C	from - 40 to + 50
Emission color	white
Color rendering index, CRI (Ra), not less	70
Color temperature of emission, K	4000÷6000
Electric shock protection class in accordance with IEC 60598-1, part 8	I
Climatic performance in accordance with State Standard 15150	MCC1
Light flux ripple rate, %, not more	10
Warranty, years	5
Durability, hours	50000

Light Distribution Curve



Overall dimensions of LED light fixture with bracket installation type



Pipe and eyebolt installation types are also possible.

